

## March 2009 Club Scrap® JR Common Threads

### Materials:

- Common Threads CS® JR Kit

### Tools:

- 12" Paper Trimmer
- 3x13" CS® Grid Ruler
- Adhesive
- CS® Moss Ink

### *Fraction to Decimal Conversions*

$1/8" = .125"$     $1/2" = .5"$     $7/8" = .875"$

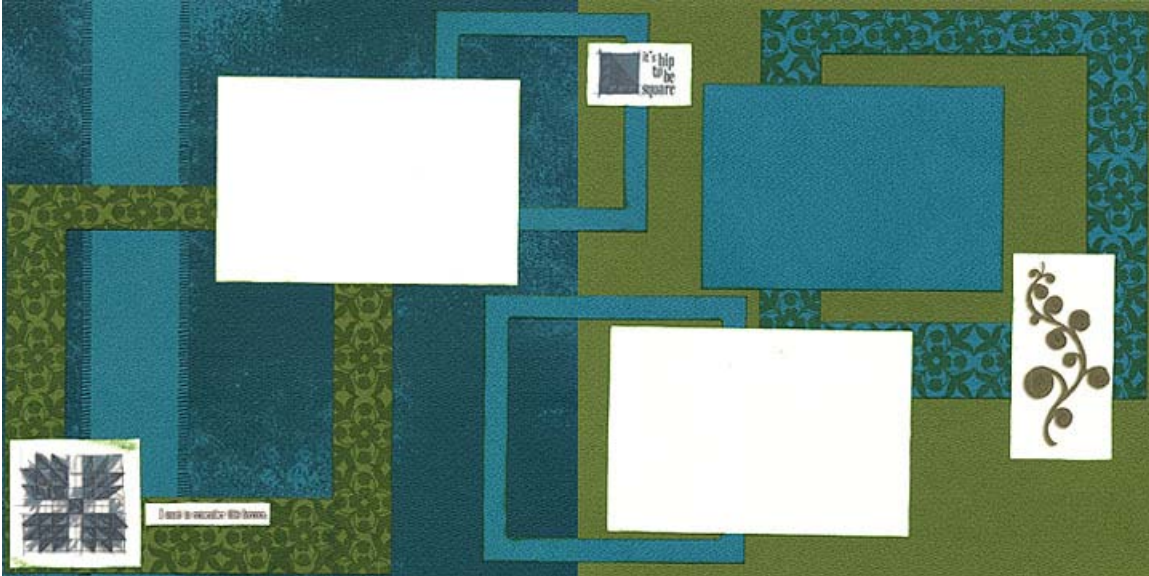
$1/4" = .25"$     $5/8" = .625"$

$3/8" = .375"$     $3/4" = .75"$



The edges of many pages, photo mattes, and other elements have been edged with CS® Moss ink; however, instructions to do so are not included below.

### Layout #1 and #2

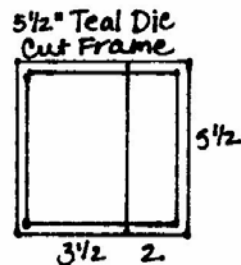


- 12x12 Teal Print
- 12x12 Moss Plain
- (2) 4.25x6.25 Ivory Photo Mattes
- 4.25x6.25 Teal Photo Matte
- Teal and Green Die Cut Frames
- CS® Moss Ink
- CS® JR Wood Mounted Stamp
- Ivory Text Cut Outs

1. Trim the 4.5" Teal Die Cut Frame at 3".



2. Cut the 5.5" Teal Die Cut Frame at 3.5".

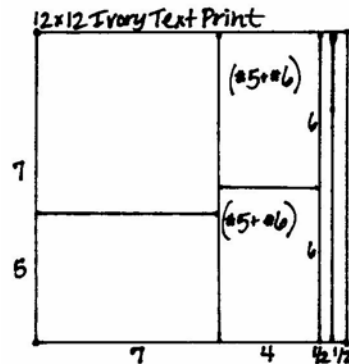


### Layout #3 and #4



- 12x12 Ivory Text Print
- 12x12 Teal Plain
- 12x12 Lilac Plain
- (2) 4.25x6.25 Green Photo Mattes
- 4.25x6.25 Teal Photo Matte
- Lilac and Green Die Cut Frames
- Ivory Text Cut Outs
- Stickers

1. Trim the 12x12 Ivory Text Print at 11.5, 11, and 7".  
Cut the 7x12 horizontally at 7". Trim the 4x12 horizontally at 6".

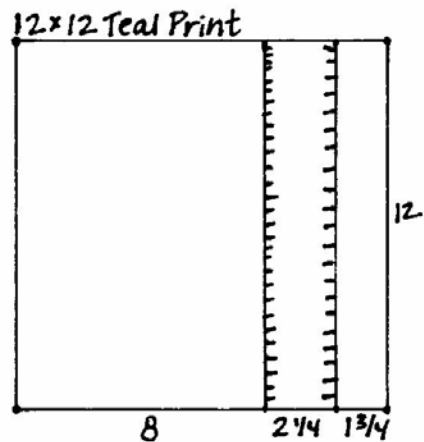


### Layout #5 and #6

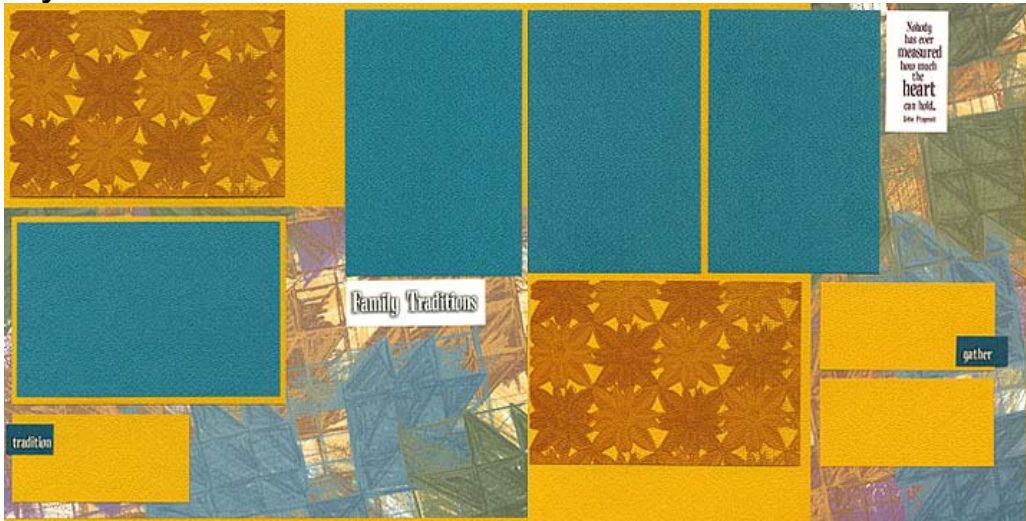


- 12x12 Teal Print
- 12x12 Moss Plain
- 12x12 Lilac Plain
- (2) 4.25x6.25 Lilac Photo Mattes
- (2) 4x6 Ivory Text Print (From Layout #3 and #4)
- Teal and Green Die Cut Frames
- Ivory Text and Lilac Cut Outs
- Stickers

1. Trim the 12x12 Teal Print at 10.25 and 8".



Layout #7 and #8

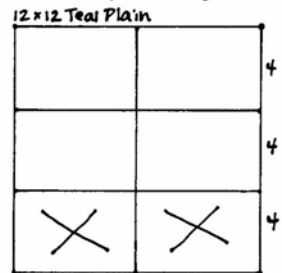


- 12x12 Ivory Text Print
- (2) 12x12 Gold Plain
- 12x12 Teal Plain
- (2) 4.25x6.25 Gold Photo Mattes
- (2) 4.25x6.25 Gold Print Photo Mattes
- Ivory Text Cut Outs
- Stickers

1. Trim the 12x12 Ivory Text Print at 7”.



2. Cut the 12x12 Teal Plain at 6”. Trim each 6x12 horizontally at 8 and 4”.



3. Trim one 4.25x6.25 Gold Plain Photo Matte vertically at 4”. Cut the 4x6.25 horizontally at 6, 4, and 2”.

